

# **User's and Service Guide**

## **Agilent Technologies 85031B 7 mm Calibration Kit**



**Agilent Part Number: 85031-90003**

**Printed in USA**

**Print Date: June 2002**

Supersedes: September 2000

© Copyright 1989, 2001, 2002 Agilent Technologies, Inc. All rights reserved.

---

## Documentation Warranty

THE MATERIAL CONTAINED IN THIS DOCUMENT IS PROVIDED "AS IS," AND IS SUBJECT TO BEING CHANGED, WITHOUT NOTICE, IN FUTURE EDITIONS. FURTHER, TO THE MAXIMUM EXTENT PERMITTED BY APPLICABLE LAW, AGILENT DISCLAIMS ALL WARRANTIES, EITHER EXPRESS OR IMPLIED WITH REGARD TO THIS MANUAL AND ANY INFORMATION CONTAINED HEREIN, INCLUDING BUT NOT LIMITED TO THE IMPLIED WARRANTIES OF MERCHANTABILITY AND FITNESS FOR A PARTICULAR PURPOSE. AGILENT SHALL NOT BE LIABLE FOR ERRORS OR FOR INCIDENTAL OR CONSEQUENTIAL DAMAGES IN CONNECTION WITH THE FURNISHING, USE, OR PERFORMANCE OF THIS DOCUMENT OR ANY INFORMATION CONTAINED HEREIN. SHOULD AGILENT AND THE USER HAVE A SEPARATE WRITTEN AGREEMENT WITH WARRANTY TERMS COVERING THE MATERIAL IN THIS DOCUMENT THAT CONFLICT WITH THESE TERMS, THE WARRANTY TERMS IN THE SEPARATE AGREEMENT WILL CONTROL.

---

## Assistance

Product maintenance agreements and other customer assistance agreements are available for Agilent products.

For any assistance, contact Agilent Technologies. Refer to [page 5-3](#) for contact information.

---

# Contents

<b>1. General Information</b>	
Calibration Kit Overview . . . . .	1-2
Kit Contents . . . . .	1-2
Broadband Loads . . . . .	1-2
Combination Open/Short . . . . .	1-2
Calibration Definitions . . . . .	1-2
Installation of the Calibration Definitions . . . . .	1-2
Options . . . . .	1-3
Equipment Required but Not Supplied . . . . .	1-3
Incoming Inspection . . . . .	1-3
Recording the Device Serial Numbers . . . . .	1-4
Preventive Maintenance . . . . .	1-4
<b>2. Specifications</b>	
Environmental Requirements . . . . .	2-2
Temperature—What to Watch Out For . . . . .	2-2
Mechanical Characteristics . . . . .	2-3
Pin Depth . . . . .	2-3
Electrical Specifications . . . . .	2-5
Certification . . . . .	2-5
<b>3. Use, Maintenance, and Care of the Devices</b>	
Electrostatic Discharge . . . . .	3-2
Visual Inspection . . . . .	3-3
Look for Obvious Defects and Damage First . . . . .	3-3
What Causes Connector Wear? . . . . .	3-3
Inspect the Mating Plane Surfaces . . . . .	3-3
Cleaning Connectors . . . . .	3-4
Gaging Connectors . . . . .	3-6
Connector Gage Accuracy . . . . .	3-6
When to Gage Connectors . . . . .	3-6
Reading the Connector Gage . . . . .	3-7
Gaging Procedure . . . . .	3-8
Connections . . . . .	3-11
How to Make a Connection . . . . .	3-11
Preliminary Connection . . . . .	3-11
Final Connection Using a Torque Wrench . . . . .	3-11
How to Separate a Connection . . . . .	3-13
Handling and Storage . . . . .	3-13
<b>4. Performance Verification</b>	
Introduction . . . . .	4-2
How Agilent Verifies the Devices in Your Kit . . . . .	4-2
Recertification . . . . .	4-3
Limited Recertification (Option 030) . . . . .	4-3
How Often to Recertify . . . . .	4-3
Where to Send a Kit for Recertification . . . . .	4-3

---

# Contents

<b>5. Troubleshooting</b>	
Troubleshooting Process .....	5-2
Returning a Kit or Device to Agilent .....	5-3
Contacting Agilent.....	5-3
<b>6. Replaceable Parts</b>	
Introduction .....	6-2
<b>A. Standard Definitions</b>	
Standard Class Assignments .....	A-2
Blank Form .....	A-3
Nominal Standard Definitions .....	A-4
Setting the System Impedance .....	A-4
Blank Form .....	A-6

---

# **1 General Information**

## Calibration Kit Overview

The Agilent 85031B 7 mm calibration kit is used to calibrate Agilent network analyzers up to 6 GHz for measurements of components with 7 mm connectors.

### Kit Contents

The 85031B calibration kit includes the following items:

- two 50Ω broadband load terminations
- one combination open/short

Refer to [Figure 6-1](#) and [Table 6-1 on page 6-2](#) for a complete list of kit contents and their associated part numbers.

### Broadband Loads

The broadband loads are metrology-grade terminations that have been optimized for performance up to 6 GHz. The rugged internal structure provides for highly repeatable connections. A distributed resistive element on sapphire provides excellent stability and return loss.

### Combination Open/Short

The combination open/short is a precision standard device built from parts that are machined to the current state-of-the-art in precision machining.

This device is constructed so that the pin depth can be controlled very tightly, thereby minimizing phase errors. Refer to [“Pin Depth” on page 2-3](#) for additional information.

## Calibration Definitions

The calibration kit must be selected and the calibration definitions for the devices in the kit installed in the network analyzer prior to performing a calibration. Refer to your network analyzer's user's documentation for instructions on selecting the calibration kit and performing a calibration.

The calibration definitions can be:

- already resident within the analyzer
- entered from the front panel

### Installation of the Calibration Definitions

The calibration definitions for the kit may be permanently installed in the internal memory or hard disk of the network analyzer.

If the calibration definitions for the kit are not permanently installed in the network analyzer, they must be manually entered. Refer to your network analyzer user's guide for instructions.

## Options

The following options are available for the 85031B:

### Option UK6

This option adds a certificate of calibration and the corresponding calibration data for the devices in the calibration kit.

### Option 030

This option provides a limited calibration for the devices in the calibration kit to 3 GHz instead of 6 GHz. This calibration option can be requested *only* from an Agilent service center. It cannot be ordered from the factory.

## Equipment Required but Not Supplied

Gages, torque and open-end wrenches, and various connector cleaning supplies are not supplied with the calibration kit but are required to ensure successful operation of the kit. Refer to [Table 6-2 on page 6-3](#) for ordering information.

---

## Incoming Inspection

Verify that the shipment is complete by referring to [Table 6-1 on page 6-2](#).

Check for damage. The foam-lined storage case provides protection during shipping. Verify that this case and its contents are not damaged.

If the case or any device appears damaged, or if the shipment is incomplete, contact Agilent Technologies. For contact information, see [page 5-3](#). Agilent will arrange for repair or replacement of incomplete or damaged shipments without waiting for a settlement from the transportation company.

When you send the kit or device to Agilent, include a service tag (found after the index of this manual) with the following information:

- your company name and address
- the name of a technical contact person within your company, and the person's complete phone number
- the model number and serial number of the kit
- the part number and serial number of the device
- the type of service required
- a *detailed* description of the problem

## Recording the Device Serial Numbers

In addition to the kit serial number, the devices in the kit are individually serialized (serial numbers are labeled onto the body of each device). Record these serial numbers in [Table 1-1](#). Recording the serial numbers will prevent confusing the devices in the kit with similar devices from other kits.

The adapters included in the kit are for measurement convenience only and are not serialized.

**Table 1-1 Serial Number Record for the 85031B**

Device	Serial Number
Calibration kit	_____
Broadband load	_____
Broadband load	_____
Combination open/short	_____

---

## Preventive Maintenance

The best techniques for maintaining the integrity of the devices in the kit include:

- routine visual inspection
- cleaning
- proper gaging
- proper connection techniques

All of these are described in [Chapter 3](#). Failure to detect and remove dirt or metallic particles on a mating plane surface can degrade repeatability and accuracy and can damage any connector mated to it. Improper connections, resulting from pin depth values being out of specification (see [Table 2-2 on page 2-3](#)), or from bad connection techniques, can also damage these devices.



---

## **2 Specifications**

---

## Environmental Requirements

**Table 2-1 Environmental Requirements**

Parameter	Limits
Temperature	
Operating <sup>a</sup>	+15 °C to +35 °C
Storage	-40 °C to +75 °C
Altitude	
Operating	< 4,500 meters (≈15,000 feet)
Storage	< 15,000 meters (≈50,000 feet)
Relative humidity	Always non-condensing
Operating	0 to 80% (26 °C maximum dry bulb)
Storage	0 to 95%

a. The temperature range over which the calibration standards maintain conformance to their specifications.

### Temperature—What to Watch Out For

Changes in temperature can affect electrical characteristics. Therefore, the operating temperature is a critical factor in performance. During a measurement calibration, the temperature of the calibration devices must be stable and within the range shown in [Table 2-1](#).

---

**IMPORTANT** Avoid unnecessary handling of the devices during calibration because your fingers are a heat source.

---

## Mechanical Characteristics

Mechanical characteristics such as center conductor protrusion and pin depth are *not* performance specifications. They are, however, important supplemental characteristics related to electrical performance. Agilent Technologies verifies the mechanical characteristics of the devices in the kit with special gaging processes and electrical testing. This ensures that the device connectors do not exhibit any center conductor protrusion or improper pin depth when the kit leaves the factory.

“Gaging Connectors” on page 3-6 explains how to use gages to determine if the kit devices have maintained their mechanical integrity. Refer to Table 2-2 for pin depth specifications.

### Pin Depth

Pin depth is the distance the center conductor mating plane differs from being flush with the outer conductor mating plane. See Figure 2-1 on page 2-4. The pin depth of a connector can be in one of two states: either protruding or recessed.

**Protrusion** is the condition in which the center conductor extends beyond the outer conductor mating plane. This condition will indicate a positive value on the connector gage.

**Recession** is the condition in which the center conductor is set back from the outer conductor mating plane. This condition will indicate a negative value on the connector gage.

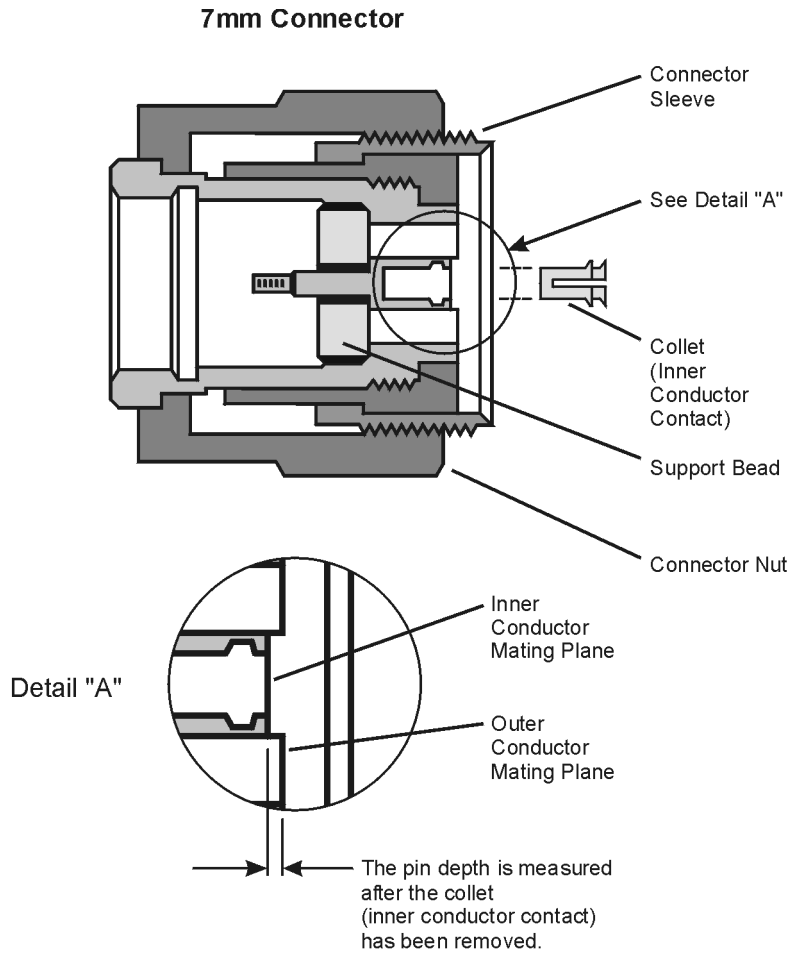
The pin depth value of each calibration device in the kit is not specified, but is an important mechanical parameter. The electrical performance of the device depends, to some extent, on its pin depth. The electrical specifications for each device in the kit take into account the effect of pin depth on the device’s performance. Table 2-2 lists the pin depth specifications for the devices in the kit. If the pin depth of a device does not measure within the pin depth specifications, it may be an indication that the device fails to meet electrical specifications. Refer to Figure 2-1 on page 2-4 for a visual representation of pin depth.

**Table 2-2 Pin Depth Specifications**

Device (or connector)	Specification
Broadband loads <sup>a</sup>	Center conductor recession with collet removed = 0.000 to 0.002 in
Open end of the combination open/short	Collet pusher recession = 0.000 to 0.001 in

a. At 25 ±5 °C, typical resistance change is ±130 ppm/°C

**Figure 2-1 Connector Pin Depth**



pi51b

---

## Electrical Specifications

The electrical specifications in [Table 2-3](#) apply to the devices in your calibration kit when connected with an Agilent precision interface.

**Table 2-3 Electrical Specifications for the 85031B 7 mm Devices**

Device	Specification	Frequency (GHz)
Broadband loads	Return loss $\geq 52$ dB	dc to $\leq 5$
	Return loss $\geq 46$ dB	$> 5$ to $\leq 6$
	Return loss $\geq 26.4$ dB (typical)	$> 6$ to $\leq 18$

### Certification

Agilent Technologies certifies that this product met its published specifications at the time of shipment from the factory. Agilent further certifies that its calibration measurements are traceable to the United States National Institute of Standards and Technology (NIST) to the extent allowed by the institute's calibration facility, and to the calibration facilities of other International Standards Organization members. See [“How Agilent Verifies the Devices in Your Kit”](#) on [page 4-2](#) for more information.



---

## **3 Use, Maintenance, and Care of the Devices**

## Electrostatic Discharge

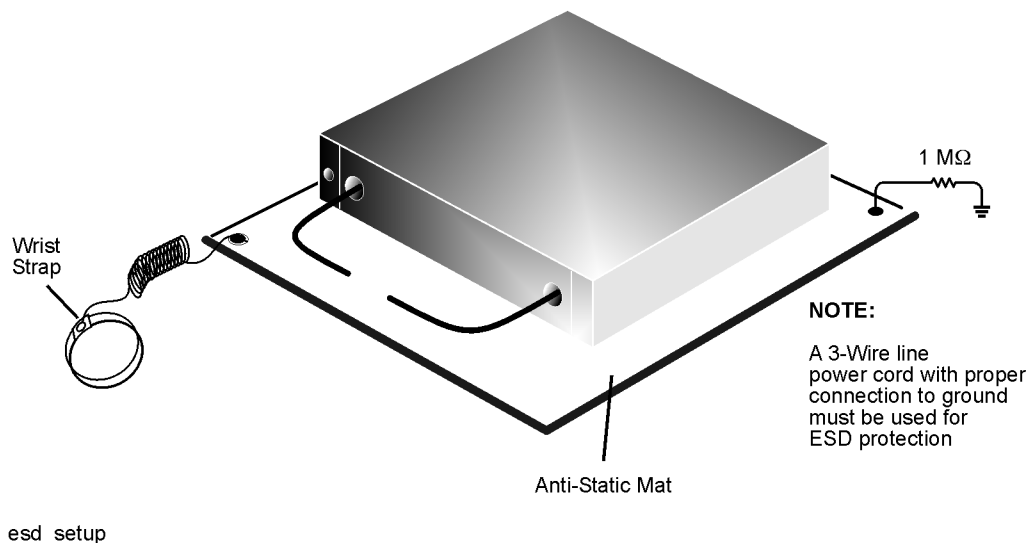
Protection against electrostatic discharge (ESD) is essential while connecting, inspecting, or cleaning connectors attached to a static-sensitive circuit (such as those found in test sets).

Static electricity can build up on your body and can easily damage sensitive internal circuit elements when discharged. Static discharges too small to be felt can cause permanent damage. Devices such as calibration components and devices under test (DUT), can also carry an electrostatic charge. To prevent damage to the test set, components and devices:

- *always* wear a grounded wrist strap having a 1 M $\Omega$  resistor in series with it when handling components and devices or when making connections to the test set.
- *always* use a grounded antistatic mat in front of your test equipment.
- *always* wear a heel strap when working in an area with a conductive floor. If you are uncertain about the conductivity of your floor, wear a heel strap.
- *Always* ground the center conductor of a test cable before making a connection to the analyzer test port or other static-sensitive device. This can be done as follows:
  1. Connect a short (from your calibration kit) to one end of the cable to short the center conductor to the outer conductor.
  2. While wearing a grounded wrist strap, grasp the outer shell of the cable connector.
  3. Connect the other end of the cable to the test port.
  4. Remove the short from the cable.

Figure 3-1 shows a typical ESD protection setup using a grounded mat and wrist strap. Refer to [Chapter 6, "Replaceable Parts,"](#) for information on ordering supplies for ESD protection.

**Figure 3-1 ESD Protection Setup**





## Visual Inspection

Visual inspection and, if necessary, cleaning should be done every time a connection is made. Metal particles from the connector threads may fall into the connector when it is disconnected. One connection made with a dirty or damaged connector can damage both connectors beyond repair.

In some cases, magnification is necessary to see damage to a connector; a magnifying device with a magnification of  $\geq 10\times$  is recommended. However, not all defects that are visible only under magnification will affect the electrical performance of the connector. Use the following guidelines when evaluating the integrity of a connector.

### Look for Obvious Defects and Damage First

Examine the connectors first for obvious defects and damage: badly worn plating on the connector interface, deformed threads, or bent, broken, or misaligned center conductors. Connector nuts should move smoothly and be free of burrs, loose metal particles, and rough spots.

### What Causes Connector Wear?

Connector wear is caused by connecting and disconnecting the devices. The more use a connector gets, the faster it wears and degrades. The wear is greatly accelerated when connectors are not kept clean, or are connected incorrectly.

Connector wear eventually degrades performance of the device. Calibration devices should have a long life if their use is on the order of a few times per week. Replace devices with worn connectors.

The test port connectors on the network analyzer test set may have many connections each day, and are therefore more subject to wear. It is recommended that an adapter be used as a test port saver to minimize the wear on the test set's test port connectors.

### Inspect the Mating Plane Surfaces

Flat contact between the connectors at all points on their mating plane surfaces is required for a good connection. See [Figure 2-1 on page 2-4](#). Look especially for deep scratches or dents, and for dirt and metal particles on the connector mating plane surfaces. Also look for signs of damage due to excessive or uneven wear or misalignment.

Light burnishing of the mating plane surfaces is normal, and is evident as light scratches or shallow circular marks distributed more or less uniformly over the mating plane surface. Other small defects and cosmetic imperfections are also normal. None of these affect electrical or mechanical performance.

If a connector shows deep scratches or dents, particles clinging to the mating plane surfaces, or uneven wear, clean and inspect it again. Devices with damaged connectors should be discarded. Determine the cause of damage before connecting a new, undamaged connector in the same configuration.

## Cleaning Connectors

Clean connectors are essential for ensuring the integrity of RF and microwave coaxial connections.

### 1. Use Compressed Air or Nitrogen

---

**WARNING** Always use protective eyewear when using compressed air or nitrogen.

---

Use compressed air (or nitrogen) to loosen particles on the connector mating plane surfaces. Clean air cannot damage a connector or leave particles or residues behind.

You can use any source of clean, dry, low-pressure compressed air or nitrogen that has an effective oil-vapor filter and liquid condensation trap placed just before the outlet hose.

Ground the hose nozzle to prevent electrostatic discharge, and set the air pressure to less than 414 kPa (60 psi) to control the velocity of the air stream. High-velocity streams of compressed air can cause electrostatic effects when directed into a connector. These electrostatic effects can damage the device. Refer to [“Electrostatic Discharge” on page 3-2](#) of this chapter for additional information.

### 2. Clean the Connector Threads

---

**WARNING** Keep isopropyl alcohol away from heat, sparks, and flame. Store in a tightly closed container. It is extremely flammable. In case of fire, use alcohol foam, dry chemical, or carbon dioxide; water may be ineffective.

**Use isopropyl alcohol with adequate ventilation and avoid contact with eyes, skin, and clothing. It causes skin irritation, may cause eye damage, and is harmful if swallowed or inhaled. It may be harmful if absorbed through the skin. Wash thoroughly after handling.**

**In case of spill, soak up with sand or earth. Flush spill area with water.**

**Dispose of isopropyl alcohol in accordance with all applicable federal, state, and local environmental regulations.**

---

Use a lint-free swab or cleaning cloth moistened with isopropyl alcohol to remove any dirt or stubborn contaminants on a connector that cannot be removed with compressed air or nitrogen. Refer to [Table 6-2 on page 6-3](#) for part numbers for isopropyl alcohol and cleaning swabs.

- a. Apply a small amount of isopropyl alcohol to a lint-free cleaning swab.
- b. Clean the connector threads.
- c. Let the alcohol evaporate, then blow the threads dry with a gentle stream of clean, low-pressure compressed air or nitrogen. Always completely dry a connector before you reassemble or use it.

### 3. Clean the Mating Plane Surfaces

---

**NOTE** It is not necessary to remove the center conductor collet to clean a precision 7 mm connector.

---

- a. Place a lint-free cleaning cloth on a flat surface.
- b. Apply a small amount of isopropyl alcohol to a clean area of the cleaning cloth.
- c. Retract the connector sleeve threads to expose the connector interface.
- d. Gently press the contact end of the connector into the moistened cloth and rotate the connector. The cloth scrubs away dirt and contaminants on the connector interface without damaging it.
- e. Blow the connector dry with a gentle stream of clean, low-pressure compressed air or nitrogen. Always completely dry a connector before you reassemble or use it.

Store the cleaning cloth in a plastic bag or a box so that it does not collect dust or dirt.

### 4. Inspect

Inspect the connector to make sure that no particles or residue remain. Refer to [“Visual Inspection” on page 3-3](#).

## Gaging Connectors

The gages available from Agilent Technologies are intended for preventive maintenance and troubleshooting purposes only. See [Table 6-2 on page 6-3](#) for part number information. They are effective in detecting excessive center conductor protrusion or recession, and conductor damage on DUTs, test accessories, and the calibration kit devices. Do not use the gages for precise pin depth measurements.

### Connector Gage Accuracy

The connector gages are only capable of performing coarse measurements. They do not provide the degree of accuracy necessary to precisely measure the pin depth of the kit devices. This is partially due to the repeatability uncertainties that are associated with the measurement. Only the factory—through special gaging processes and electrical testing—can accurately verify the mechanical characteristics of the devices.

With proper technique, the gages are useful in detecting gross pin depth errors on device connectors. To achieve maximum accuracy, random errors must be reduced by taking the average of at least three measurements having different gage orientations on the connector. Even the resultant average can be in error by as much as  $\pm 0.0001$  inch due to systematic (biasing) errors usually resulting from worn gages and gage masters. As the gages undergo more use, the systematic errors can become more significant in the accuracy of the measurement.

### When to Gage Connectors

Gage a connector at the following times:

- Prior to using a device for the first time: record the pin depth measurement so that it can be compared with future readings. It will serve as a good troubleshooting tool when you suspect damage may have occurred to the device.

---

**NOTE** When measuring pin depth, the measured value (resultant average of three or more measurements) is not the true value. This is due to measurement uncertainties described earlier under “[Connector Gage Accuracy](#).” Always compare the measured value with the pin depth specifications in [Table 2-2 on page 2-3](#) and with previously recorded values to evaluate the condition of device connectors.

---

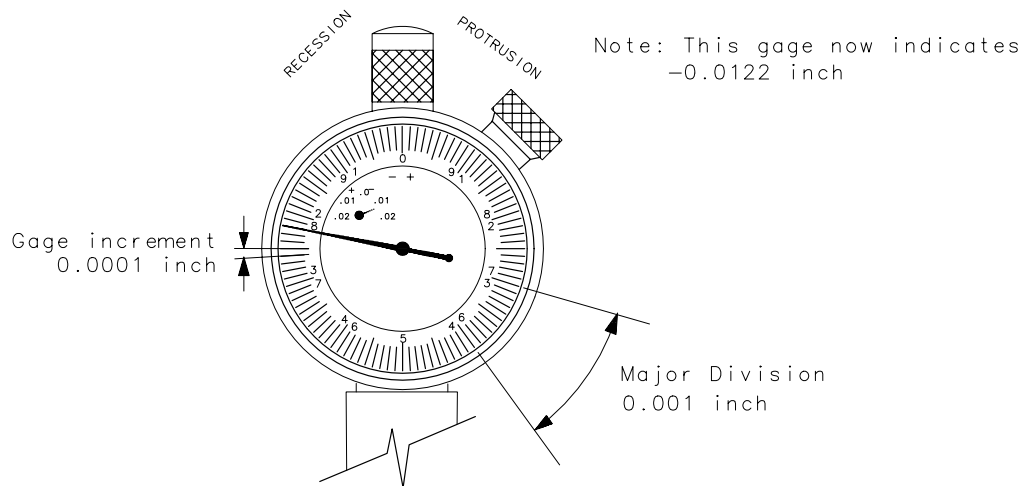
- If either visual inspection or electrical performance suggests that the connector interface may be out of typical range (due to wear or damage, for example).
- If a calibration device is used by someone else or on another system or piece of equipment.
- Initially after every 100 connections, and after that as often as experience indicates.

## Reading the Connector Gage

The gage dial is divided into increments of 0.0001 inch and major divisions of 0.001 inch (see [Figure 3-2](#)). For each revolution of the large dial, the smaller dial indicates a change of 0.01 inch. Use the small dial as the indicator of multiples of 0.01 inch. In most connector measuring applications, this value will be zero.

When making a measurement, the gage dial indicator will travel in one of two directions. If the center conductor is recessed from the *zero* reference plane, the indicator will move counterclockwise to indicate the amount of **recession**, which is read as a negative value. If the center conductor protrudes, the indicator will move clockwise to indicate the amount of **protrusion**, which is read as a positive value. Refer to [“Pin Depth” on page 2-3](#) for definitions of protrusion and recession.

**Figure 3-2** Reading the Connector Gage



wj57f

## Gaging Procedure

---

**NOTE** Always hold a connector gage by the gage barrel, below the dial indicator. This gives the best stability, and improves measurement accuracy.

---

1. Select the proper gage for your connector. Refer to [Table 6-2 on page 6-3](#) for gage part number.
2. Inspect and clean the gage, gage master, and device to be gaged. Refer to [“Visual Inspection” on page 3-3](#) and [“Cleaning Connectors” on page 3-4](#) of this chapter.
3. Zero the connector gage (refer to [Figure 3-3](#)):
  - a. While holding the gage by the barrel, and without turning the gage or the device, connect the gage master to the gage. Refer to [“Connections” on page 3-11](#) for more information. Connect the nut finger tight. Do not overtighten.
  - b. Using an open-end wrench to keep the gage from rotating, use the torque wrench recommended for use with the kit to tighten the gage master connector nut to the specified torque. Refer to [“Final Connection Using a Torque Wrench” on page 3-11](#) for more information.
  - c. The gage pointer should line up exactly with the zero mark on the gage. If not, loosen the dial lock screw on the gage and rotate the gage dial so that the pointer is aligned with the zero mark.
  - d. Tighten the dial lock screw and remove the gage master.
  - e. Attach and torque the gage master to the gage once again to verify that the setting is repeatable. Remove the gage master.
4. Gage the device connector (refer to [Figure 3-3](#)):
  - a. If gaging one of the 50Ω loads in the kit, use a collet extractor tool to remove the center conductor collet from the device connector to be gaged. Refer to [Table 6-2 on page 6-3](#) for the part number of this extractor tool. Refer to [Figure 2-1 on page 2-4](#) for an illustration of the 7 mm connector and the location of the center conductor collet.
  - b. While holding the gage by the barrel, and without turning the gage or the device, connect the gage master to the gage. Refer to [“Connections” on page 3-11](#) for more information. Connect the nut finger-tight. Do not overtighten.
  - c. Using an open-end wrench to keep the gage from rotating, use the torque wrench recommended for use with the kit to tighten the device connector nut to the specified torque. Refer to [“Final Connection Using a Torque Wrench” on page 3-11](#) for more information.
  - d. Gently tap the barrel of the gage with your finger to settle the gage reading.
  - e. Read the gage indicator dial. If the needle has moved clockwise, the center conductor is *protruding* by an amount indicated by the *black* numbers. If the needle has moved counterclockwise, the center conductor is *recessed* by an amount indicated by the *red* numbers.

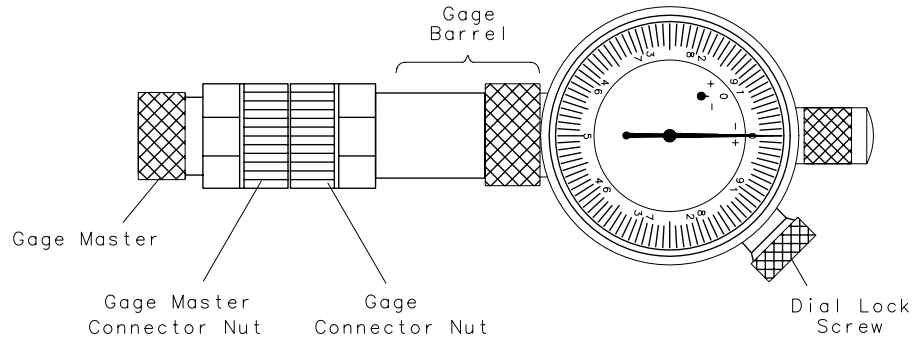
For maximum accuracy, measure the connector a minimum of three times and take an average of the readings. After each measurement, rotate the gage a quarter-turn to reduce measurement variations that result from the gage or the connector face not being exactly perpendicular to the center axis.

- f. Compare the average reading with the pin depth specifications listed in [Table 2-2 on page 2-3](#).
- g. Remove the device from the gage and replace the center conductor collet.

**Figure 3-3 Gaging 7 mm Connectors**

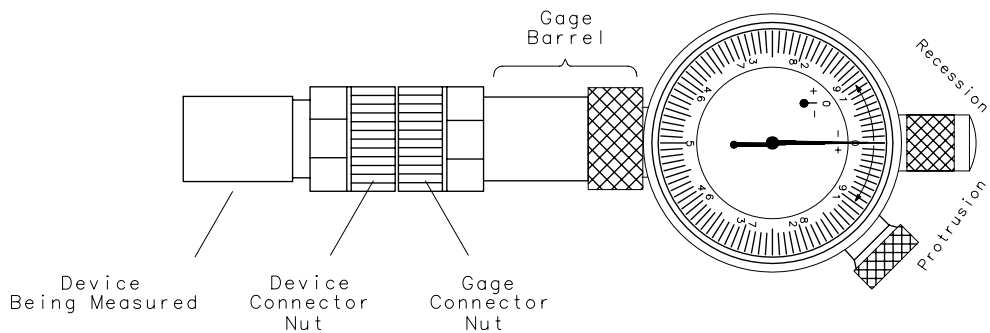
Zero the Connector Gage

- Connect the gage master to the gage.
- Torque the connecting nut.
- Loosen the dial lock screw.
- Rotate the gage dial so that the pointer is aligned with the zero mark.
- Tighten the dial lock screw.
- Remove the gage master.



Gage the Device Connector

- Connect the device to the gage.
- Torque the connecting nut.
- Gently tap the gage barrel to settle the reading.
- Read recession or protrusion from the gage.
- Remove the device.
- Repeat two additional times and average the three readings.



pi52b



## Connections

Good connections require a skilled operator. *The most common cause of measurement error is bad connections.* The following procedures illustrate how to make good connections.

### How to Make a Connection

#### Preliminary Connection

1. Ground yourself and all devices. Wear a grounded wrist strap and work on a grounded, conductive table mat. Refer to [“Electrostatic Discharge” on page 3-2](#) for ESD precautions.
2. Visually inspect the connectors. Refer to [“Visual Inspection” on page 3-3](#).
3. If necessary, clean the connectors. Refer to [“Cleaning Connectors” on page 3-4](#).
4. Use a connector gage to verify that all center conductors are within the pin depth specifications in [Table 2-2 on page 2-3](#). Refer to [“Gaging Connectors” on page 3-6](#).
5. Fully extend the connector sleeve on one of the connectors. Spin its knurled connector nut to make sure the threads are fully extended. Fully retract the sleeve on the other connector. The extended sleeve creates a cylinder into which the other connector fits.  
  
If one of the connectors is fixed (such as on a test port), fully extend that connector sleeve and fully retract the sleeve on the moveable connector.
6. Carefully align the connectors. As you make the actual connection, be sure the connectors align perfectly.
7. Push the connectors straight together. Do *not* twist or screw the connectors together.
8. Engage the connector nut (of the connector with the retracted sleeve) over the threads of the other connector (the connector with the extended sleeve). Turn only the connector nut. Let the connector nut pull the two connectors straight together.
9. Do not overtighten this connection. A connection in which the outer conductors make gentle contact at all points on both mating surfaces is sufficient. Very light finger pressure is enough to accomplish this.
10. Make sure the connectors are properly supported. Relieve any side pressure on the connection from long or heavy devices or cables.

#### Final Connection Using a Torque Wrench

Use a torque wrench to make a final connection. [Table 3-1](#) provides information about the torque wrench recommended for use with the calibration kit. A torque wrench is not included in the calibration kit. Refer to [Table 6-2 on page 6-3](#) for part number and ordering information.

**Table 3-1 Torque Wrench Information**

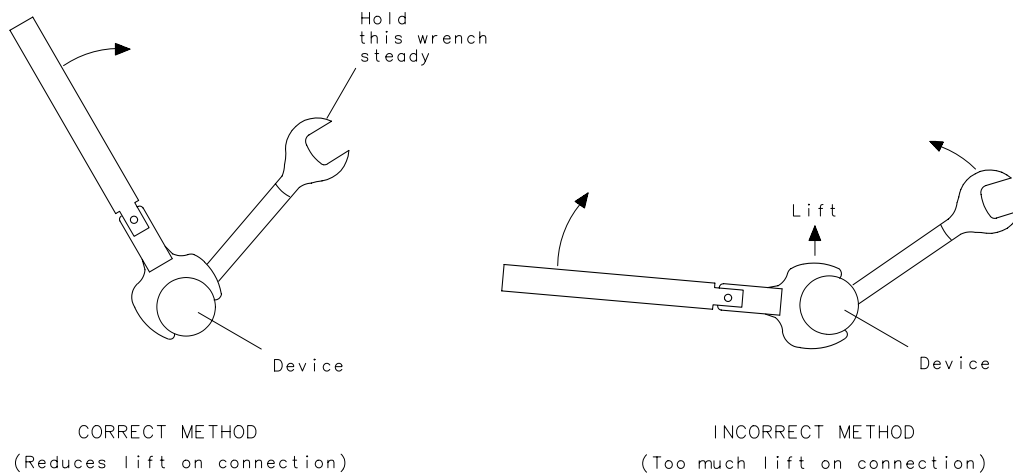
Connector Type	Torque Setting	Torque Tolerance
7 mm	135 N-cm (12 in-lb)	±13.5 N-cm (±1.2 in-lb)

Using a torque wrench guarantees that the connection is not too tight, preventing possible connector damage. It also guarantees that all connections are equally tight each time.

Prevent the rotation of anything other than the connector nut that you are tightening. It may be possible to do this by hand if one of the connectors is fixed (as on a test port). However, it is recommended that you use an open-end wrench to keep the body of the device from turning.

1. Position both wrenches within 90 degrees of each other before applying force. See [Figure 3-4](#). Wrenches opposing each other (greater than 90 degrees apart) will cause a lifting action which can misalign and stress the connections of the devices involved. This is especially true when several devices are connected together.

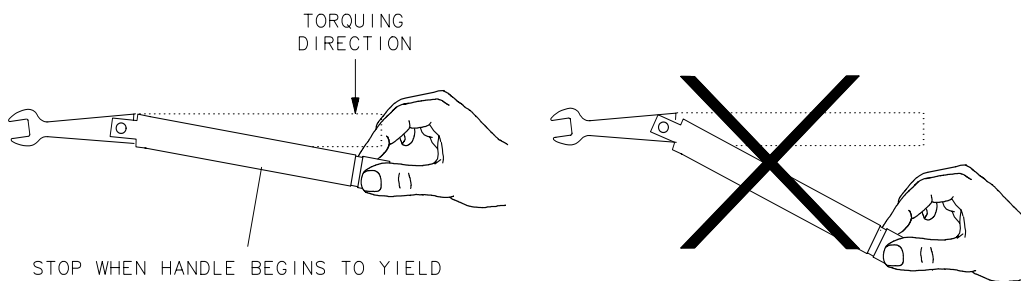
**Figure 3-4 Wrench Positions**



wj56f

2. Hold the torque wrench lightly, at the end of the handle only (beyond the groove). See [Figure 3-5](#).

**Figure 3-5 Using the Torque Wrench**



wj68d

3. Apply downward force perpendicular to the wrench handle. This applies torque to the connection through the wrench.

Do not hold the wrench so tightly that you push the handle straight down along its length rather than pivoting it, otherwise you apply an unknown amount of torque.

4. Tighten the connection just to the torque wrench break point. The wrench handle gives way at its internal pivot point. See [Figure 3-5 on page 3-12](#). Do not tighten the connection further.

---

**CAUTION** You don't have to fully break the handle of the torque wrench to reach the specified torque; doing so can cause the handle to kick back and loosen the connection. Any give at all in the handle is sufficient torque.

---

## How to Separate a Connection

To avoid lateral (bending) force on the connector mating plane surfaces, always support the devices and connections.

---

**CAUTION** Do *not* turn the device body. Only turn the connector nut. Damage to the center conductor can occur if the device body is twisted.

---

1. Use an open-end wrench to prevent the device body from turning.
2. Use another open-end wrench to loosen the connector nut.
3. Complete the separation by hand, turning only the connector nut.
4. Pull the connectors straight apart without twisting, rocking, or bending either of the connectors.

---

## Handling and Storage

- Do install the protective end caps and store the calibration devices in the foam-lined storage case when not in use.
- Do keep connectors clean.
- Do *not* touch mating plane surfaces. Natural skin oils and microscopic particles of dirt are easily transferred to a connector interface and are very difficult to remove.
- Do *not* set connectors contact-end down on a hard surface. The plating and the mating plane surfaces can be damaged if the interface comes in contact with any hard surface.
- Do *not* store connectors loose in a box, or in a desk or bench drawer. This is the most common cause of connector damage during storage.



---

## **4 Performance Verification**

## Introduction

The performance of your calibration kit can only be verified by returning the kit to Agilent Technologies for recertification. The equipment required to verify the specifications of the devices in the kit has been specially manufactured and is not commercially available.

---

## How Agilent Verifies the Devices in Your Kit

Agilent verifies the specifications of these devices as follows:

1. The residual microwave error terms of the test system are verified with precision airlines and shorts that are directly traced to the National Institute of Standards and Technology (NIST). The airline and short characteristics are developed from mechanical measurements. The mechanical measurements and material properties are carefully modeled to give very accurate electrical representation. The mechanical measurements are then traced to NIST through various plug and ring gages and other mechanical measurements.
2. Each calibration device is electrically tested on this system. For the initial (before sale) testing of the calibration devices, Agilent includes the test measurement uncertainty as a guardband to guarantee each device meets the published specification. For recertifications (after sale), no guardband is used and the measured data is compared directly with the specification to determine the pass or fail status. The measurement uncertainty for each device is, however, recorded in the calibration report that accompanies recertified kits.

These two steps establish a traceable link to NIST for Agilent to the extent allowed by the institute's calibration facility. The specifications data provided for the devices in the kit is traceable to NIST through Agilent Technologies.

---

## Recertification

The following will be provided with a recertified kit:

- a new calibration sticker affixed to the case
- a certificate of calibration
- a calibration report for each device in the kit listing measured values, specifications, and uncertainties

---

**NOTE** A list of NIST traceable numbers may be purchased upon request to be included in the calibration report.

---

Agilent Technologies offers a *Standard* calibration for the recertification of the kit. For more information, contact Agilent Technologies. For contact information, see [Table 5-1 on page 5-3](#).

### Limited Recertification (Option 030)

The 50 $\Omega$  loads in the calibration kit are specified for use up to 6 GHz. For many applications, the performance above 3 GHz is not utilized.

For a standard recertification, the devices in the calibration kit are tested and calibrated up to 6 GHz. However, a limited recertification can be requested. For this limited recertification, the devices are tested and calibrated up to 3 GHz.

To request a limited recertification, make sure the following is clearly written on the order: *Limited Calibration DC–3 GHz (Option 030)*.

All loads that receive a limited calibration are supplied with a limited calibration label applied to the device.

### How Often to Recertify

The suggested initial interval for recertification is 12 months or sooner. The actual need for recertification depends on the use of the kit. After reviewing the results of the initial recertification, you may establish a different recertification interval that reflects the usage and wear of the kit.

---

**NOTE** The recertification interval should begin on the date the kit is *first used* after the recertification date.

---

### Where to Send a Kit for Recertification

Contact Agilent for information on where to send your kit for recertification. For contact information, see [Table 5-1 on page 5-3](#).





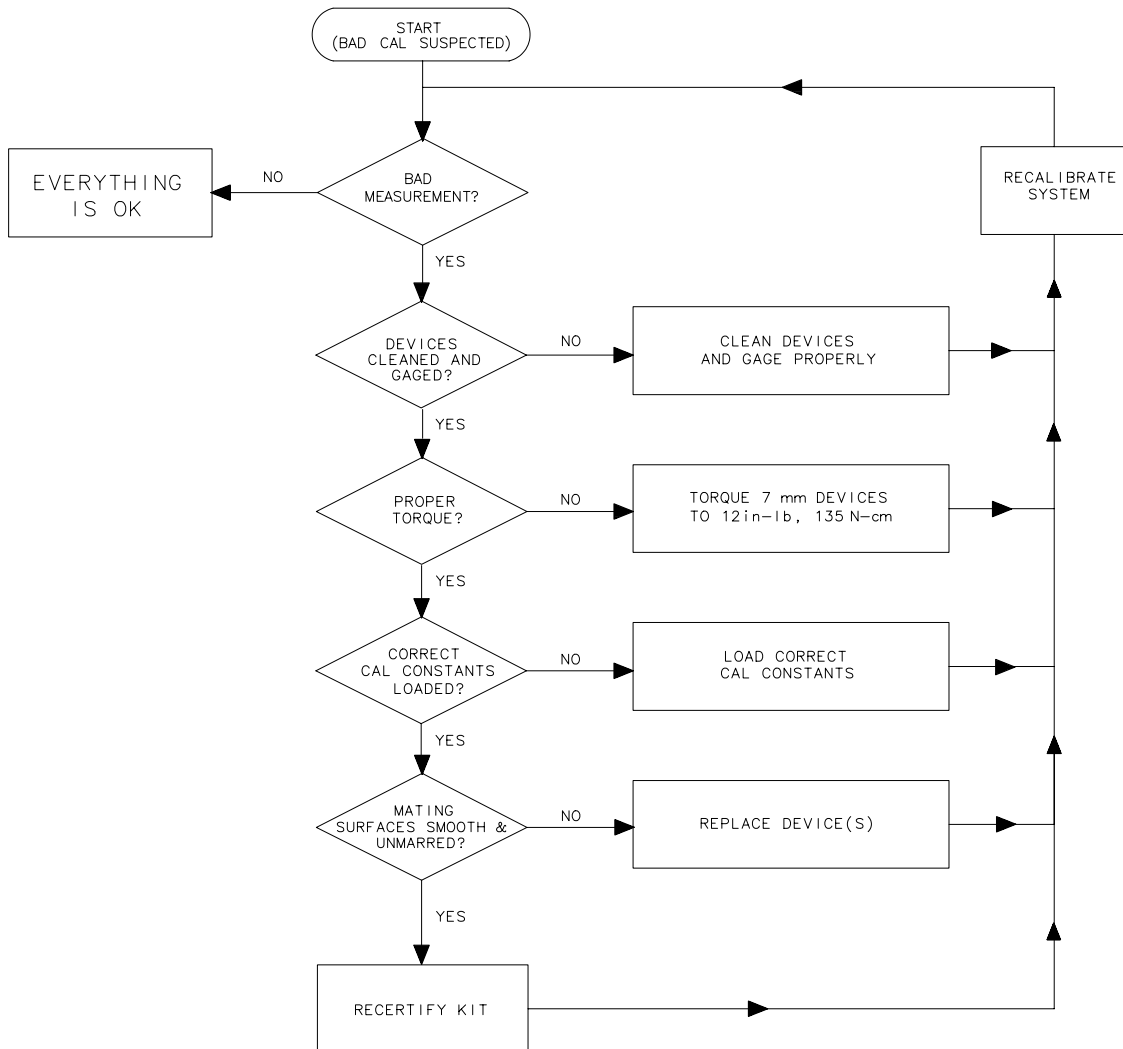
---

## **5 Troubleshooting**

## Troubleshooting Process

If you suspect a bad calibration, or if your network analyzer does not pass performance verification, follow the steps in [Figure 5-1](#).

**Figure 5-1 Troubleshooting Flowchart**



p i 53b

## Returning a Kit or Device to Agilent

If your kit or device requires service, contact the Agilent Technologies office nearest you for information on where to send it. See [Figure 5-1](#). Include a service tag (located after the index of this manual) on which you provide the following information:

- your company name and address
- a technical contact person within your company, and the person's complete phone number
- the model number and serial number of the kit
- the part number and serial number of each device
- the type of service required
- a *detailed* description of the problem and how the device was being used when the problem occurred (such as calibration or measurement)

## Contacting Agilent

**Table 5-1 Contacting Agilent**

**Online assistance:** [www.agilent.com/find/assist](http://www.agilent.com/find/assist)

<b>United States</b> <i>(tel)</i> 1 800 452 4844	<b>Latin America</b> <i>(tel)</i> (305) 269 7500 <i>(fax)</i> (305) 269 7599	<b>Canada</b> <i>(tel)</i> 1 877 894 4414 <i>(fax)</i> (905) 282-6495	<b>Europe</b> <i>(tel)</i> (+31) 20 547 2323 <i>(fax)</i> (+31) 20 547 2390
<b>New Zealand</b> <i>(tel)</i> 0 800 738 378 <i>(fax)</i> (+64) 4 495 8950	<b>Japan</b> <i>(tel)</i> (+81) 426 56 7832 <i>(fax)</i> (+81) 426 56 7840	<b>Australia</b> <i>(tel)</i> 1 800 629 485 <i>(fax)</i> (+61) 3 9210 5947	<b>Singapore</b> <i>(tel)</i> 1 800 375 8100 <i>(fax)</i> (65) 836 0252
<b>Malaysia</b> <i>(tel)</i> 1 800 828 848 <i>(fax)</i> 1 800 801 664	<b>Philippines</b> <i>(tel)</i> (632) 8426802 <i>(tel) (PLDT subscriber only):</i> 1 800 16510170 <i>(fax)</i> (632) 8426809 <i>(fax) (PLDT subscriber only):</i> 1 800 16510288	<b>Thailand</b> <i>(tel) outside Bangkok:</i> (088) 226 008 <i>(tel) within Bangkok:</i> (662) 661 3999 <i>(fax)</i> (66) 1 661 3714	<b>Hong Kong</b> <i>(tel)</i> 800 930 871 <i>(fax)</i> (852) 2506 9233
<b>Taiwan</b> <i>(tel)</i> 0800-047-866 <i>(fax)</i> (886) 2 25456723	<b>People's Republic of China</b> <i>(tel) (preferred):</i> 800-810-0189 <i>(tel) (alternate):</i> 10800-650-0021 <i>(fax)</i> 10800-650-0121	<b>India</b> <i>(tel)</i> 1-600-11-2929 <i>(fax)</i> 000-800-650-1101	



---

## **6 Replaceable Parts**

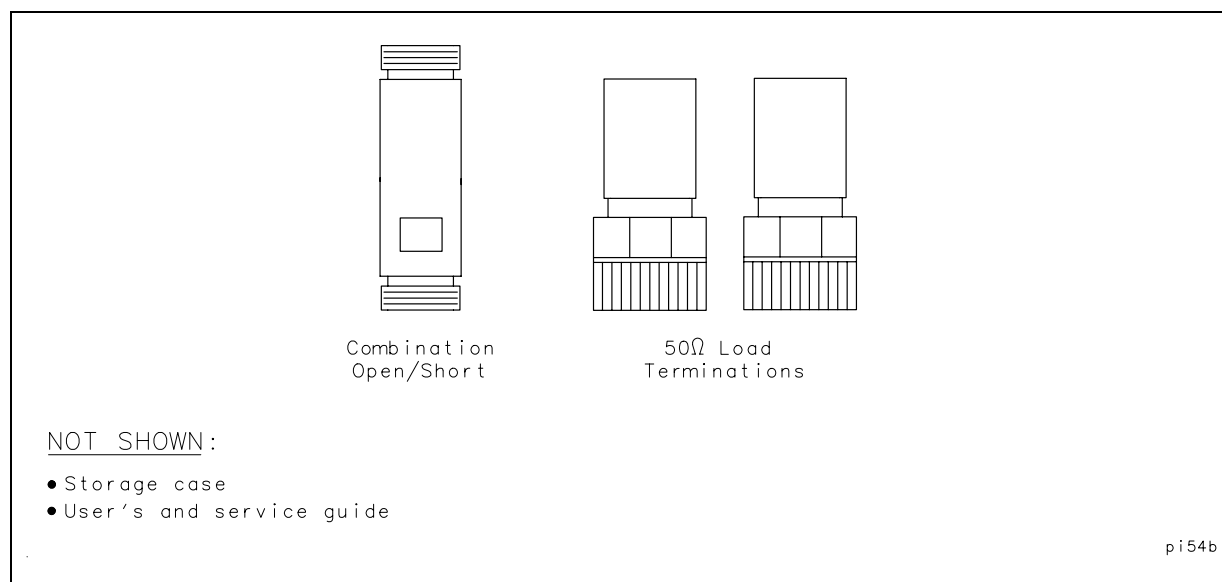
## Introduction

Table 6-1 lists the replacement part numbers for items included in the 85031B calibration kit and Figure 6-1 illustrates each of these items.

Table 6-2 lists the replacement part numbers for items not included in the calibration kit that are either required or recommended for successful operation of the kit.

To order a listed part, note the description, the part number, and the quantity desired. Telephone or send your order to Agilent Technologies. For contact information, see Table 5-1 on page 5-3.

**Figure 6-1 Replaceable Parts for the 85031B Calibration Kit**



**Table 6-1 Replaceable Parts for the 85031B Calibration Kit**

Description	Qty per kit	Agilent Part Number
<b>Calibration Devices (7 mm)</b>		
Broadband load	2	00909-60008
Combination open/short	1	85031-60001
<b>Calibration Kit Storage Case</b>		
Box (without foam pad)	1	85031-80002
Box pad	1	85031-80003
<b>User's and Service Guide</b>		
User's and service guide	1	85031-90003

**Table 6-2 Items Not Included in the Calibration Kit**

Description	Qty	Agilent Part Number
<b>Connector Gage (7 mm)</b>		
Gage Set	1	85050-80012
<b>Wrenches</b>		
3/4 in, 135 N-cm (12 in-lb) torque wrench	1	8710-1766
3/4 in open-end wrench	1	8720-0011
1/2 in and 9/16 in open-end wrench	1	8710-1770
<b>Collet and Collet Extractor Tool</b>		
7 mm center conductor collet	1	85050-20001
7 mm connector collet extractor tool	1	5060-0370
<b>ESD Protective Devices</b>		
Grounding wrist strap	1	9300-1367
5 ft grounding cord for wrist strap	1	9300-0980
2 ft by 4 ft conductive table mat with 15 ft grounding wire	1	9300-0797
ESD heel strap	1	9300-1308
<b>Connector Cleaning Supplies</b>		
Isopropyl alcohol	30 ml	8500-5344
Foam-tipped cleaning swabs	100	9301-1243





---

# **A Standard Definitions**

## Standard Class Assignments

Class assignment organizes calibration standards into a format compatible with the error models used in the measurement calibration. A class or group of classes corresponds to the systematic errors to be removed from the measured network analyzer response. [Table A-1](#) lists the classes of the devices in the calibration kit.

**Table A-1 Standard Class Assignments**

Calibration Kit Label:								
Class	A	B	C	D	E	F	G	Standard Class Label
S <sub>11</sub> A	2							Open
S <sub>11</sub> B	1							Short
S <sub>11</sub> C	3							Loads
S <sub>22</sub> A	2							Open
S <sub>22</sub> B	1							Short
S <sub>22</sub> C	3							Loads
Forward transmission	4							Thru
Reverse transmission	4							Thru
Forward match	4							Thru
Reverse match	4							Thru
Response	1	2	4					Response
Response and isolation	1	2	4					Response & Isol'n

**Blank Form**

The standard class assignments listed in [Table A-1](#) may be changed to meet your specific requirements. [Table A-2](#) is provided to record the modified standard class assignments.

**Table A-2 Standard Class Assignments Blank Form**

Calibration Kit Label: _____								
Class	A	B	C	D	E	F	G	Standard Class Label
S <sub>11</sub> A								
S <sub>11</sub> B								
S <sub>11</sub> C								
S <sub>22</sub> A								
S <sub>22</sub> B								
S <sub>22</sub> C								
Forward transmission								
Reverse transmission								
Forward match								
Reverse match								
Response								
Response and isolation								

## Nominal Standard Definitions

Standard definitions provide the constants needed to mathematically model the electrical characteristics (delay, attenuation, and impedance) of each calibration standard. The nominal values of these constants are theoretically derived from the physical dimensions and material of each calibration standard, or from actual measured response. These values are used to determine the measurement uncertainties of the network analyzer. The standard definitions in [Table A-3](#) list typical calibration kit parameters used to specify the mathematical model of each device. This information must be loaded into the network analyzer to perform valid calibrations. Refer to your network analyzer's user's guide for instructions on loading calibration constants.

---

**NOTE**        The values in the standard definitions table are valid *only* over the specified operating temperature range.

---

## Setting the System Impedance

This kit contains only 50 ohm devices. Ensure the system impedance ( $Z_0$ ) is set to 50 ohms. Refer to your network analyzer user's guide for instructions on setting system impedance.

**Table A-3 Standard Definitions**

System $Z_0^a = 50 \Omega$		Calibration Kit Label:											
Standard <sup>b</sup>		$C0 \times 10^{-15} \text{ F}$	$C1 \times 10^{-27} \text{ F/Hz}$	$C2 \times 10^{-36} \text{ F/Hz}^2$	$C3 \times 10^{-45} \text{ F/Hz}^3$	Fixed, Sliding <sup>c</sup>	Offset			Frequency in GHz <sup>d</sup>		Coax or Waveguide	Standard Label
Number	Type						Delay in ps	$Z_0$ in $\Omega$	Loss in M $\Omega$ /s	Min	Max		
1	Short						0	50	700	0.0	999	Coax	Short
2	Open	92.85	0	7.2	4.3		0	50	700	0.0	999	Coax	Open
3	Load					Fixed	0	50	700	0.0	999	Coax	Broad-band
4	Delay/thru						0	50	700	0.0	999	Coax	Thru
5													
6													
7													
8													

- a. Ensure system  $Z_0$  of network analyzer is set to this value.
- b. Open, short, load, delay/thru, or arbitrary impedance.
- c. Load or arbitrary impedance only.
- d. For waveguide, the lower frequency is the same as  $F_{CO}$ .

## Blank Form

The standard definitions listed in [Table A-3](#) may be changed to meet your specific requirements. [Table A-4](#) is provided to record the modified standard definitions.

**Table A-4 Standard Definitions Blank Form**

System $Z_0^a = 50 \Omega$		Calibration Kit Label: _____												
Number	Type	$C0 \times 10^{-15} \text{ F}$	$C1 \times 10^{-27} \text{ F/Hz}$	$C2 \times 10^{-36} \text{ F/Hz}^2$	$C3 \times 10^{-45} \text{ F/Hz}^3$	Fixed, Sliding <sup>c</sup>	Offset			Frequency in GHz <sup>d</sup>		Coax or Waveguide	Standard Label	
							Delay in ps	$Z_0$ in $\Omega$	Loss in M $\Omega$ /s	Min	Max			
1	Short													
2	Open													
3	Load													
4	Delay/ thru													
5														
6														
7														
8														

- a. Ensure system  $Z_0$  of network analyzer is set to this value.
- b. Open, short, load, delay/thru, or arbitrary impedance.
- c. Load or arbitrary impedance only.
- d. For waveguide, the lower frequency is the same as  $F_{CO}$ .

## A

Agilent Technologies  
  contacting, 5-3  
agreements  
  customer assistance, ii  
  maintenance, ii  
alcohol  
  isopropyl  
    as cleaning solvent, 3-4  
    part number, 6-3  
    precautions for use of, 3-4  
altitude  
  specifications, 2-2  
assistance  
  contacting agilent, 5-3  
  customer, ii  
  who to contact, ii

## B

blank form  
  standard class assignments, A-3  
  standard definitions, A-6  
broadband loads, 1-2  
  part number, 6-2  
  specifications, 2-5

## C

calibration  
  bad, 5-2  
  certificate of, 1-3, 4-3  
  constants  
    permanently stored, 1-2  
  data, 1-3  
  definitions, 1-2  
  limited, 4-3  
    frequency range, 4-3  
  report, 4-3  
  standard, 4-3  
    frequency range, 4-3  
  temperature, 2-2  
calibration definitions  
  permanently stored, 1-2  
calibration kit  
  contents, 1-2, 6-2  
  drawing of, 6-2  
  overview, 1-2  
  performance  
    how Agilent verifies, 4-2  
    verifying, 4-2  
center conductor  
  protrusion, 3-7  
  recession, 3-7  
certificate of calibration, 1-3, 4-3  
certification  
  of device specifications, 2-5  
characteristics

  mechanical, 2-3  
class assignments  
  blank form, A-3  
  standard, A-2  
cleaning connectors, 3-4  
cleaning supplies, 1-3  
  part number, 6-3  
cleaning swabs, 3-4  
  part number, 6-3  
compressed air  
  for cleaning, 3-4  
connections, 3-2, 3-11  
  ESD protection, 3-11  
  final, 3-11  
  preliminary, 3-11  
  separating, 3-13  
  using torque wrench, 3-11  
connector  
  cleaning, 3-4  
  damage, 3-3  
  defects, 3-3  
  gage  
    accuracy, 3-6  
    dial, 3-7  
    handling, 3-8  
    part number, 6-3  
    reading, 3-7  
    use of, 3-6  
    zeroing, 3-8  
  gaging, 3-6  
    when to do, 3-6  
  male, 3-8  
  mating plane surfaces, 3-5  
    cleaning, 3-5  
  threads  
    cleaning, 3-4  
    inspecting, 3-3  
  visual inspection, 3-3  
  wear, 3-3  
    affect on electrical  
      performance, 3-3  
contacting Agilent Technologies,  
  5-3  
contents  
  calibration kit, 6-2  
  drawing of, 6-2  
  incomplete  
    what to do, 1-3

## D

damage  
  caused by electrostatic  
    discharge, 3-2  
  device, 3-3  
  inspecting for, 3-3  
  to connectors, 3-3  
  what to do, 1-3

damaged connectors, 3-3  
data  
  calibration, 1-3  
  recertification, 4-3  
defective connectors, 3-3  
definitions  
  calibration  
    entering, 1-2  
    permanently stored, 1-2  
    standard, A-4  
  definitions, calibration, 1-2  
  deviation from nominal phase, 2-5  
device  
  connecting, 3-11  
  damage, 3-3  
  disconnecting, 3-13  
  handling, 3-13  
  maintenance, 1-4  
  performance  
    verifying, 4-2  
  specifications, 2-5  
    certification of, 2-5  
    traceability, 4-2, 4-3  
  storage, 3-13  
  temperature, 2-2  
  visual inspection, 3-3  
dial  
  connector gage, 3-7  
disconnections, 3-13  
documentation warranty, ii

## E

electrical specifications, 2-5  
electrostatic discharge, *See* ESD  
environmental  
  regulations, 3-4  
  requirements, 2-2  
  specifications, 2-2  
equipment required, 1-3  
ESD, 3-2  
  precautions, 3-4  
  protection, 3-2  
  supplies, 3-2  
    part numbers, 6-3

## F

frequency  
  specifications, 2-5  
frequency range  
  limited calibration, 4-3  
  standard calibration, 4-3

## G

gage  
  connector, 1-3  
  dial, 3-7

- handling, 3-8
- reading, 3-7
- part number, 6-3
- zeroing, 3-8
- gaging
  - connectors, 3-6
  - when to do, 3-6
  - male connectors, 3-8
  - to determine pin depth, 3-6

## H

- handling, 3-13
- humidity
  - specifications, 2-2

## I

- impedance
  - system, A-4
  - setting, A-4
- incoming inspection, 1-3
- inspection
  - damage, 3-3
  - defects, 3-3
  - incoming, 1-3
  - mating plane surfaces, 3-3
  - visual, 3-3
- isopropyl alcohol
  - as cleaning solvent, 3-4
  - part number, 6-3
  - precautions for use of, 3-4

## K

- kit
  - contents, 1-2, 6-2
  - drawing of, 6-2
  - overview, 1-2

## L

- label
  - limited calibration, 4-3
- limited calibration
  - frequency range, 4-3
  - requesting, 4-3
- limits
  - pin depth, 2-3
- loads
  - broadband, 1-2

## M

- maintenance, 3-2
  - agreements, ii
  - of devices, 1-4
  - preventive, 1-4
- making connections, 3-11
  - ESD protection, 3-11

- precautions, 3-11
- mating plane surfaces
  - cleaning, 3-5
  - connector, 3-5
  - inspection of, 3-3
- mechanical characteristics, 2-3
  - affect on electrical performance, 2-3
  - verifying, 3-6

## N

- National Institute of Standards and Technology (NIST), 2-5
- NIST, 4-2
- nitrogen
  - for cleaning, 3-4
- nominal standard definitions, A-4
- numbers
  - serial, 1-4
  - recording, 1-4

## O

- observed limits
  - pin depth, 2-3
- offsets, 1-2
- open/short
  - part numbers, 6-2
- open-end wrench, 1-3, 3-13
  - part number, 6-3
- opens, 1-2
  - specifications, 2-5
- options, 1-3
  - limited recertification, 4-3
- ordering
  - parts, 6-2

## P

- part numbers, 6-2
  - of items in kit, 6-2
  - of items not in kit, 6-3
- parts
  - included in kit, 6-2
  - not included in kit, 6-2
  - ordering, 6-2
  - replaceable, 6-2
- performance verification
  - fail, 5-2
- permanently stored calibration
  - definitions, 1-2
- pin depth, 2-3
  - affect on electrical performance, 2-3
  - gaging to determine, 3-6
  - observed limits, 2-3, 3-6
  - protrusion, 2-3
  - recession, 2-3

- typical values, 2-3
- preventive maintenance, 1-4
- protrusion
  - center conductor, 3-7
  - pin depth, 2-3

## R

- reading connector gage, 3-7
- recertification
  - how to order, 4-3
  - interval, 4-3
  - limited, 4-3
  - what's included, 4-3
  - where it's done, 4-3
- recession
  - center conductor, 3-7
  - pin depth, 2-3
- regulations
  - environmental, 3-4
- replaceable parts, 6-2
  - drawing of, 6-2
- report
  - calibration, 4-3
- requirements
  - environmental, 2-2
- return
  - kit or device to Agilent, 5-3
- return loss
  - specifications, 2-5

## S

- separating connections, 3-13
- serial numbers, 1-4
  - devices, 1-4
  - recording, 1-4
- service, 5-3
  - tag, 1-3, 4-3, 5-3
- shorts, 1-2
  - specifications, 2-5
- specifications, 2-2
  - altitude
    - operating, 2-2
    - storage, 2-2
  - certification of, 2-5
  - deviation from nominal phase, 2-5
  - device, 2-5
  - electrical, 2-5
  - environmental, 2-2
  - frequency, 2-5
  - humidity
    - operating, 2-2
    - storage, 2-2
  - return loss, 2-5
  - temperature, 2-2
  - torque wrench, 3-11
  - traceability, 4-2, 4-3



---

# Index

---

standard calibration  
  frequency range, 4-3  
standard class assignments, A-2  
  blank form, A-3  
standard definitions, A-4, A-6  
  blank form, A-6  
  nominal, A-4  
standards  
  international, 2-5  
  national institute of, 2-5, 4-2  
static  
  discharge, 3-2  
  electricity, 3-2  
storage, 3-13  
supplies  
  cleaning, 1-3  
  part number, 6-3  
swabs  
  cleaning, 3-4  
system impedance, A-4

## T

tag  
  service, 1-3, 4-3, 5-3  
temperature  
  affect on electrical performance,  
    2-2  
  calibration, 2-2  
  cautions about, 2-2  
  changes in, 2-2  
  device, 2-2  
  error-corrected, 2-2  
  measurement, 2-2  
  specifications, 2-2  
  operating, 2-2  
  storage, 2-2  
  verification and measurement,  
    2-2  
test data, 4-3  
threads  
  connector  
    cleaning, 3-4  
    inspecting, 3-4  
torque wrench, 1-3  
  part number, 6-3  
  specifications, 3-11  
traceability  
  of device specifications, 4-2, 4-3  
troubleshooting, 5-2

## V

verification  
  temperature, 2-2  
visual inspection, 3-3

## W

warranty, documentation, ii  
wear  
  connector, 3-3  
    affect on electrical  
      performance, 3-3  
wrench  
  open-end, 1-3, 3-12, 3-13  
  part number, 6-3  
  proper positioning of, 3-12  
  torque, 1-3, 3-11, 3-12  
  part number, 6-3  
  precautions for use of, 3-12  
  proper use of, 3-12

## Z

zeroing  
  connector gage, 3-8